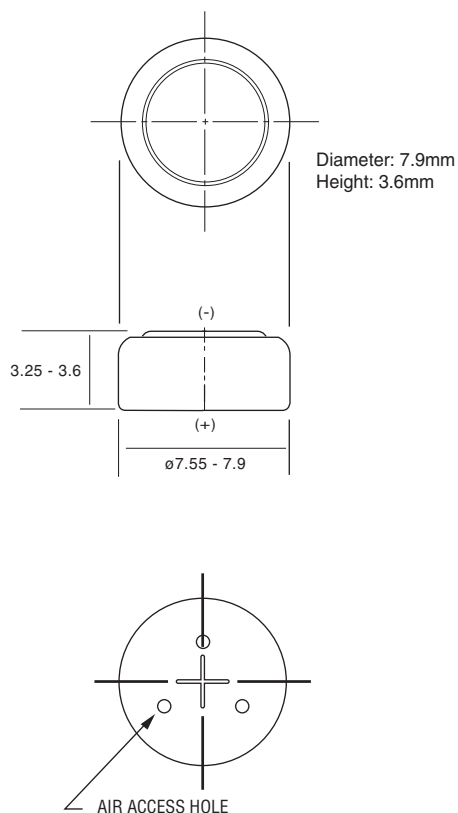


Model No.: **ZA312F**

<b>NO MERCURY ADDED</b>	
<b>Description</b>	: Zinc Air Button
<b>Chemical System</b>	: Zinc Air
<b>Nominal Voltage</b>	: 1.45 Volts
<b>Nominal Capacity</b>	: 170mAh
<b>Dimensions</b>	: Ø7.9 x 3.6 mm
<b>Average weight</b>	: 0.50 grams
<b>Application</b>	: Hearing Aid Instruments
<b>Operating temperature</b>	: -10°C to +50°C

### Dimension Drawing

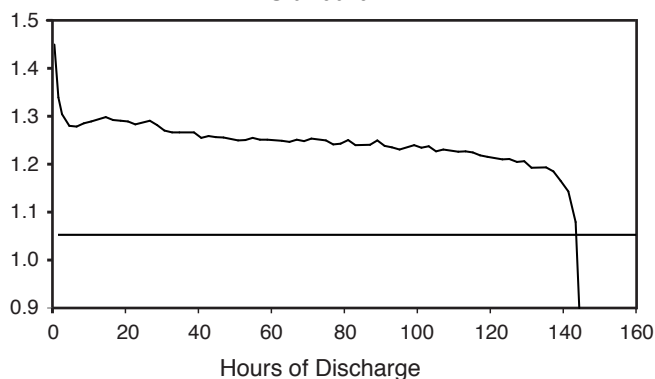


Unit : mm

### Cross References:

GP	JIS/IEC	Eveready	Duracell	Varta
ZA312F	PR41	AC312	DA312	V312A

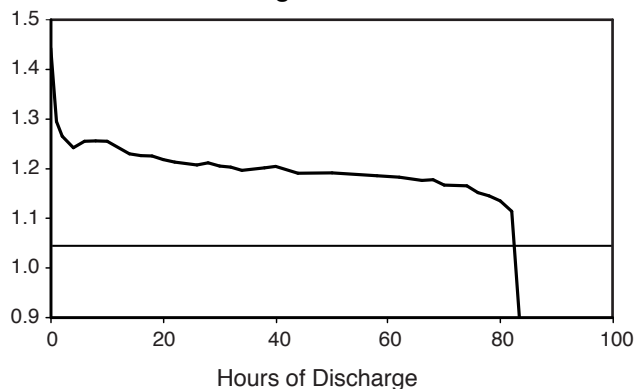
#### Standard



#### ANSI/ IEC Hearing Aid Standard Test

141 hours - 1.2 mA background, 5 mA 100 ms pulse, once every 2 hours, 12 hours/ day to 1.05V at 70°F (21°C) and 50% RH.

#### High Power



#### ANSI/ IEC Hearing Aid High Power Test

83 hours - 2 mA background, 10 mA 100 ms pulse, once every 2 hours, 12 hours/ day to 1.05V at 70°F (21°C) and 50% RH.

The information (subject to change without prior notice) contained in this document is for reference only and should not be used as a basis for product guarantee or warranty. For applications other than those described here, please consult your nearest GP Sales and Marketing Office or Distributors.