

Series
CZK



Series
CZ



■ Applications

Quick-detachable clamp is designed for quick and reliable fixing of various round components of ventilation system.

■ Design

The clamps are made of galvanized steel strip with the layer of microporous rubber for vibration damping. The clamp design allows its wall or cell mounting.

■ Applications

The quick-detachable clamp is designed for quick and reliable mounting and connection of various round components of ventilation system. The clamps facilitate installation and removal of fans for maintenance and cleaning.

■ Design

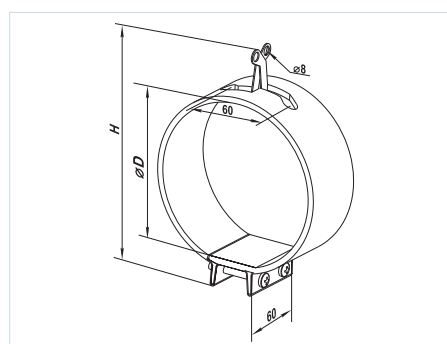
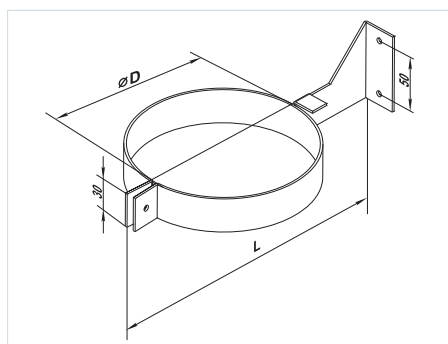
The clamp is made of galvanized steel strip sealed at one side with microporous rubber for the better airtight characteristics and vibration damping. The quick-detachable clamps are tightened with two bolts.

Overall dimensions:

Type	Dimensions [mm]		Mass [kg]
	∅D	L	
CZK 100	100	204	0,21
CZK 125	125	229	0,22
CZK 150	150	254	0,25
CZK 160	160	264	0,26
CZK 200	200	304	0,31
CZK 250	250	354	0,35
CZK 315	315	419	0,42

Overall dimensions:

Type	Dimensions [mm]		Mass [kg]
	∅D	H	
CZ 100	100	172	0,206
CZ 125	125	198	0,232
CZ 150	150	224	0,296
CZ 160	160	232	0,358
CZ 200	200	274	0,42
CZ 250	250	326	0,55
CZ 315	315	380	0,65



Designation key:

Series	Flange diameter, [mm]
CZK CZ	100; 125; 150; 160; 200; 250; 315